



DTZ s.r.o.

YOUR SUPPLIER OF TECHNOLOGICAL EQUIPMENT

COMPANY PRESENTATION

DTZ s.r.o., U Věže 149/8, 460 01 Liberec

www.dtzliberec.cz



About us



- modern, dynamic manufacturing company enshrined in the energy market for more than 60 years
- own production facilities with an area of 30 000 m²
- mechanical engineering and assembly of metal components for energetics, textile, automotive and manufacturing industries
- annual turnover - 125 mil CZK
- 65 employees

People



Karel Švehla

– Managing director and owner

Ing. Jakub Jaša

– CEO

Ing. Petr Kareis

– authorized officer

Alois Švarc

– Production director

+ team of motivated professionals

Goals



- operate as a stable medium-sized company active in the field of energetics, mechanical engineering and other areas
- satisfy the requirements of our customers
- assist in the development of our customers in selected areas
- continuous development of our skills, technologies and procedures
- actively develop the human potential of the company
- understanding and meeting our customers value

Values



- fast processing of your assignment
- desing and optimazation for your requirements
- offering competitive prices
- rapid and high quality production
- handing over producusts anywhere, including assembly
- ensuring long warranty

Activities



MANUFACTURING

- energetics
- petrochemicals
- heating
- gas production
- water supply

ENGINEERING

- energetics
- textile industry
- processing industry
- construction industry
- automotive

Activities



MANUFACTURING

- metal manufacturing
- steel structures
- production of pressure and non-pressure components
- specialized welding

SERVICES

- engineering
- custom production
- serial production
- repair and service
- assembly and disassembly
- reconstruction and modernization
- technical inspection
- welding technology services



References

ČEZ a.s.

Comprehensive restoration Prunéřov Power Station II

production and assembly

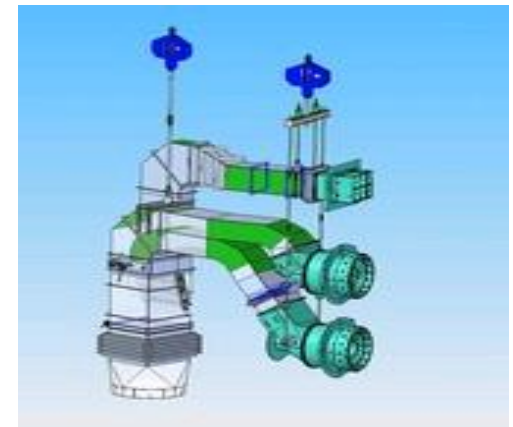
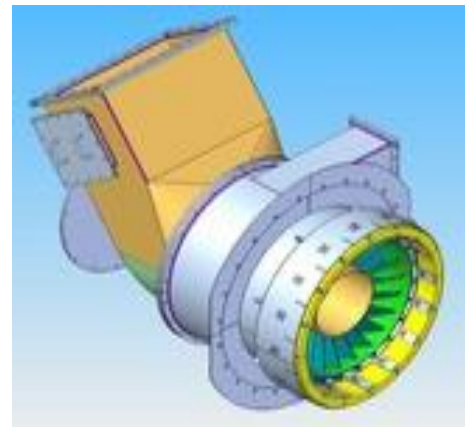
- superheater outlet
(2012-2013)
- bifluxes
(2010-2012)



ČEZ a.s.

Comprehensive recovery of the Tušimice II

- 3D documentation, production and assembly
- transport and distribution of coal dust distributor for primary mixture, powder and vapor burners (2010)





References

Oerlikon Barmag, Germany

TRUMPF GmbH+Co.KG, Germany
TRUMPF Liberec, spol. s r.o.

Power station KRŠKO, Slovinsko
EKOMT s.r.o.

cauldron production - 15 kW, 59 kW
(part of textile machinery)



2012 - 2014

lengthwise beams



2015

repair of pressure components,
production including assembly



2013



References

AIRPORT Václava Havla, Praha

steel construction
for a boarding bridge



2011

**ČEZ, a.s.
Dětmarovice Power Station**

repair of heat exchanger
MGGH absorber 1 and 2
production and assembly
(block)



2008

mixing part of VT steam line,
3D documentation and
production



2009

Certification



- Integrated Management System (IMS) comprising of ISO 9001:2008, ISO 14001:2004, OHSAS 18001:2008
- certification for production, assembly, reconstruction, repair, revising and testing pressure devices in the K1 range: steam and liquid boilers in 1st, 2nd, 3rd and 4th class and for pressure vessels, stable groups A, B
- AD 2000 – Merkblatt for HPO
- welding process in accordance to ČSN EN ISO 3834-2:2006 and welding supervision in accordance to ČSN EN ISO 14731

Intellectual property



• PATENTS

8. 11. 2004	Patent No. 294454	method for producing gas dispersion pipes for desulfurization thermal power unit
29. 10. 2009	Patent No. 638	combustion burner mouth

• UTILITY MODELS

11. 3. 2002	UM No. 12073	interchangeable basket for heat regenerative exchanger
2. 1. 2003	UM No. 12887	gas media demister
13. 2. 2006	UM No. 16274	powder burner mouth
30. 3. 2009	UM No. 19469	structural repair of steam boiler desulfurization unit

Contacts



Ing. Jakub Jaša – *director*

+420 488 577 911, +420 602 298 567 jakub.jasa@dtzgroup.cz

Ing. Petr Kareis - *authorized officer*

+420 720 043 854 petr.kareis@dtzgroup.cz

Jiří Tichý - *project manager*

+420 488 577 912, +420 720 070 657 jiri.tichy@dtzgroup.cz

Ing. Luděk Bernard - *project manager*

+420 488 577 641, +420 602 398 547 ludek.bernard@dtzgroup.cz

Ing. Petr Piškule - *project manager*

+420 602 331 092 petr.piskule@dtzgroup.c.cz

Ing. Iva Martinčová – *project manager*

+420 488 577 631, +420 720 070 664 iva.martincova@dtzgroup.cz

Petr Juklíček – *calculations*

+420 488 577 610, +420 602 331 085 petr.juklicek@dtzgroup.c.cz

Helena Tůmová – *calculations*

+420 488 577 639, +420 720 043 855 helena.tumova@dtzgroup.c.cz

Ing. Mirko Šída – *purchasing manager*

+420 488 577 932, +420 602 331 173 mirko.sida@dtzgroup.c.cz

Petr Tauchman - *purchase*

+420 488 577 932, +420 702 119 623 petr.tauchman@dtzgroup.cz

E-mail: obchod@dtzgroup.cz , dtz@dtzgroup.cz